



TOOLING LIST

FOR TRUMPF TC6000L / TC500R

Edition: 08/2019

INTERFAB Pty Limited

Norwest Business Park, 28 Brookhollow Avenue, Baulkham Hills NSW 2153

Phone (02) 9849 1200 Fax (02) 9894 0777

www.interfab.net email: interfab@interfab.net

ROUND

Diameter [mm]	Die clearance					Tool size						Type		
	0.10	0.15	0.20	0.25	0.30	01	02	1	2	MT6	MT4	S	H	W
1.00	x		x				x					x		
1.20			x		x	x						x		
1.40	x		x		x	x						x		
1.47			x			x							x	
1.50	x		x		x	x						x		
1.60	x		x		x	x						x		
1.70	x		x		x	x						x		
1.80	x		x		x	x						x		
2.00	x		x		x	x						x		
2.10	x		x		x	x						x		
2.20	x		x		x	x						x		
2.30	x		x		x	x						x		
2.40	x		x		x	x						x		
2.50	x		x		x		x			x		x		
2.60	x		x		x	x						x		
2.70	x		x		x	x						x		
2.75	0.15		x		x							x		
2.80	x		x		x	x						x		
2.85		x		x		x							x	
2.90	x		x		x	x						x		
3.00	x		x		x					x	x	x		
3.10	x		x		x					x	x	x		
3.20	x		x		x					x		x		
3.30	x		x		x					x	x	x		
3.40	x		x		x	x						x		
3.45		x		x		x							x	
3.50	x		x		x	x				x	x	x		
3.60	x		x		x					x		x		
3.70	x		x		x	x						x		
3.80	x		x		x	x						x		
3.90	x		x		x	x						x		
4.00	x		x		x					x	x	x		
4.09	x		x			x							x	
4.10	x		x		x	x						x		
4.20	x		x		x	x						x		
4.25		x		x						x	x	x		
4.30	x		x		x	x				x		x		
4.35	x				x									
4.40	x		x		x					x		x		
4.50	x		x		x	x				x		x		
4.52			x			x							x	
4.60	x		x		x	x						x		
4.75			x	x		x				x		x		
4.80	x		x		x	x						x		
4.90	x		x		x	x						x		
5.00	x		x		x					x		x		
5.10	x		x		x	x						x		

ROUND

Diameter [mm]	Die clearance					Tool size						Steel		
	0.10	0.15	0.20	0.25	0.30	01	02	1	2	MT6	MT4	S	H	W
5.20	x		x		x					x		x		
5.30	x		x		x		x					x		
5.40	x		x		x					x	x	x		
5.41	x		x		x	x							x	
5.45		x		x			x					x		
5.50	x		x		x		x			x		x		
5.60	x		x		x		x					x		
5.74	x		x		x	x							x	
5.80	x		x		x	x						x		
5.90	x		x		x		x			x		x		
6.00	x		x		x					x		x		
6.10	x		x		x		x					x		
6.20	x		x		x		x					x		
6.30	x		x		x		x						x	
6.35	x						x					x		
6.40	x		x		x		x			x		x		
6.50	x		x		x		x					x		
6.60	x		x		x		x					x		
6.80	x		x		x		x					x		
7.00	x		x		x		x					x		
7.10	x		x		x		x			x		x		
7.20	x		x		x					x	x	x		
7.25		x		x			x					x		
7.40	x		x		x		x					x		
7.50	x		x		x		x					x		
7.60	x		x				x					x		
7.75				x			x					x		
7.93	x		x		x	x							x	
8.00	x		x		x					x		x		
8.20	x		x				x					x		
8.30			x											
8.40	x		x		x		x					x		
8.50	x		x		x		x			x		x		
8.60	x				x		x					x		
8.75			x									x		
8.80	x		x		x		x					x		
9.00	x		x		x		x					x		
9.10	x		x		x		x					x		
9.50	x		x		x		x					x		
9.60			x		x		x					x		
9.70	x		x		x		x					x		
9.85		x		x								x		
10.00	x		x				x					x		
10.10	x						x					x		
10.25					0.40			x				x		
10.31	x		x		x			x					x	
10.50	x		x		x		x						x	

ROUND

Diameter [mm]	Die clearance					Tool size						Steel		
	0.10	0.15	0.20	0.25	0.30	01	02	1	2	MT6	MT4	S	H	W
10.60	x		x		x			x					x	
11.00			x		0.40			x					x	x
11.10			x					x						
11.50			x		0.40			x					x	x
12.00			x		0.40			x					x	x
12.40			x					x					x	
12.50		x			x			x					x	
12.70			x		x			x					x	x
12.80	x		x					x				x		
13.00			x	0.30	0.40			x					x	
13.50	x		x					x					x	x
14.00			x		x			x					x	x
14.50								x					x	x
15.00			x		0.40			x					x	x
15.50			x		x			x					x	x
15.70	x		x					x					x	
16.00			x					x					x	
16.20	x		x					x					x	x
16.50			x					x					x	x
16.70			x					x				x		
17.00	x		x					x					x	x
17.10		x						x						x
17.50			x		x			x					x	
17.80		x						x					x	
18.00			x		x			x					x	x
18.30			x		0.40			x					x	
18.50			x					x					x	x
19.00			x					x					x	x
19.50 (die only)					x			x					x	
20.00			x		0.40			x					x	x
20.35			x		x			x				x		x
20.50			x					x						x
21.00			x					x				x		
21.50			x					x					x	
22.00			x					x						x
22.30			x					x					x	x
22.70			x					x					x	
24.00			x					x				x		x
24.50			x		x			x					x	x
25.00			x					x					x	x
25.40			x		x			x					x	x
26.00			x					x					x	x
26.20			x					x					x	x
27.10			x					x					x	
29.00			x					x				x		
30.00			x		x			x				x		
31.00			x					x				x		

ROUND

Diameter [mm]	Die clearance					Tool size						Steel		
	0.10	0.15	0.20	0.25	0.30	01	02	1	2	MT6	MT4	S	H	W
32.00			x					x					x	x
32.50					0.40				x			x		x
35.50			x		x									
36.00		x	x						x			x		x
38.10			x						x			x		x
38.15			x										x	x
42.00			x						x				x	x
44.00			x						x				x	x
47.00			x						x				x	x
50.00		x	x		x				x				x	x
52.00			x		0.40				x			x		x
58.00			x										x	x
60.00			x		x				x			x		x
75.00			x										x	x
76.20			x						x				x	x
75.00			x										x	x
76.20			x						x				x	x

RECTANGLE

Width [mm]	Length [mm]	Clearance			Tool size						Type		
		0.10	0.20	0.30	01	02	1	2	MT6	MT4	S	H	W
1.00	5.00		x			x						x	
1.00	15.90	x	x				x					x	
1.20	7.00		x	x			x					x	
1.30	5.70	x	x				x					x	
1.30	12.50		x	x			x					x	
1.30	19.00		0.15	x			x					x	
1.50	3.20		x			x						x	
1.50	5.00		x						x			x	
1.60	10.00		x	0.40			x					x	
1.70	6.35		x				x					x	
1.70	12.50		x	x			x					x	
1.90	9.00		x				x					x	
1.90	30.00		x				x					x	
2.00	3.50		0.15				x					x	
2.00	5.00		0.30	0.40			x					x	
2.00	12.00	x	x				x					x	
2.00	13.00		0.15	x			x					x	
2.00	16.00		x	x			x					x	
2.00	26.00		x				x				x		
2.20	5.30		x				x					x	
2.30	30.00		x				x					x	
2.40	5.40		x				x				x		
2.40	12.70		x	x			x				x		
2.40	50.00		x					x				x	x
2.50	19.00		x	x			x					x	x
2.70	5.30		x				x				x		
2.70	9.00		x				x					x	
3.00	5.60			0.40			x					x	
3.00	8.00		x				x					x	
3.00	11.00		x				x					x	
3.00	20.00	x	x	0.40			x					x	
3.00	36.00			x				x			x		
3.10	4.10		x	x			x					x	
3.20	10.00		0.15	0.40			x					x	x
3.20	14.70		x				x				x		
3.50	4.00			x			x					x	
3.50	6.00		x				x					x	
3.50	22.00		x				x					x	
3.60	4.50		x	x			x					x	
3.90	9.50		x				x					x	
3.90	14.60		0.25				x					x	
4.00	10.00		x	x			x					x	
4.00	16.00	x	x				x					x	
4.00	20.00			x			x					x	
4.00	24.00		x	0.40			x					x	x
4.00	40.00		x					x				x	x

RECTANGLE

Width [mm]	Length [mm]	Clearance			Tool size						Type		
		0.10	0.20	0.30	01	02	1	2	MT6	MT4	S	H	W
4.10	6.00		x				x					x	
4.10	6.60		x	x			x					x	
4.10	20.00		x				x					x	x
4.40	15.10		x				x				x		x
4.76	38.00		x				x					x	x
5.00	5.30		x	x			x					x	
5.00	16.00	x	x	0.40			x					x	x
5.00	20.00	x	0.15	x			x					x	x
5.00	24.00	x	0.15	x			x					x	x
5.00	30.00	x	x	x			x					x	x
5.00	45.00		0.15	x			x					x	x
5.00	56.00	x	x	x/0.4				x				x	x
5.00	70.00		0.15	0.30				x				x	x
5.05	75.05	x						x				x	x
5.40	10.60		x				x					x	
5.40	41.90		x					x				x	x
5.60	7.90	x	x				x				x		
5.60	30.00		x				x					x	x
5.60	31.00		x				x					x	x
6.00	15.00			x			x					x	x
6.00	22.00		x				x					x	
6.00	25.00	x					x					x	x
6.00	31.00		x				x					x	x
6.00	56.00		x					x				x	x
6.35	12.70		x				x					x	
6.90	16.90	x	x				x				x		x
7.00	41.00		x					x				x	x
7.10	11.20		x				x					x	
7.50	13.00		0.15	x			x					x	
7.50	23.00			0.40			x					x	x
8.00	12.00	x	0.15	x			x					x	
8.00	26.30	x					x					x	x
8.20	13.00		0.15				x					x	
9.00	16.00		x				x					x	x
9.53	12.70		x				x					x	x
9.90	18.00		x				x					x	
10.00	56.00		x					x				x	x
10.20	40.20			0.40				x				x	
10.50	28.00		x	0.40			x					x	
12.00	24.00		x	x/0.4			x					x	x
12.00	30.00		0.15	x			x					x	x
12.70	15.20		x				x					x	

RECTANGLE

Width [mm]	Length [mm]	Clearance			Tool size						Type		
		0.10	0.20	0.30	01	02	1	2	MT6	MT4	S	H	W
12.70	25.40		x	x			x					x	
12.85	15.55		x				x					x	x
14.00	16.50		x	x			x					x	
14.80	16.60		x				x					x	
15.00	40.00		0.15				x					x	x
15.25	41.90		x					x				x	x
15.60	52.95		x					x				x	x
16.00	16.90		x					x			x		x
16.00	59.20		x					x			x		x
16.30	21.00		x				x					x	
16.80	55.20		x					x				x	x
19.00	24.00		x					x				x	x
19.00	45.00		0.15	x				x				x	x
19.20	28.80		x					x				x	x
19.20	34.30		x					x				x	x
22.35	30.50		x					x				x	x
28.00	55.00	x						x				x	x

OBROUND

Width [mm]	Length [mm]	Die Clearance			Tool size						Type		
		0.10	0.20	0.30	01	02	1	2	MT6	MT4	S	H	W
1.20	1.80	x				x						x	
1.60	15.10		x				x					x	x
2.50	4.00		x				x					x	
2.50	10.00		x	x								x	
2.50	17.00		x	.3/.6			x				x		
2.50	19.00	x	0.15	x			x					x	x
2.50	50.50		0.15	x				x				x	x
2.80	4.20		x				x				x		
3.00	4.00		x						x			x	
3.00	5.20			x	x							x	
3.00	5.50			0.40		x					x		
3.00	9.80			0.40	x							x	x
3.00	10.00		0.15	x			x					x	
3.00	15.00	x	x	x/0.4			x					x	
3.00	20.00		x	x/0.4			x				x		x
3.10	3.50		x		x							x	
3.18	4.75		x	0.40		x						x	
3.18	31.75		x					x				x	
3.20	5.20	x		x					x			x	
3.30	6.60		x		x							x	
3.30	10.00		0.40	x	x							x	
3.40	4.00		x						x			x	
3.50	5.00		x				x				x		
3.50	6.00		x				x				x		
3.50	6.60		x				x					x	
3.50	15.50		0.15	1.00			x					x	x
3.50	20.50		x				x					x	
3.50	25.00		0.15	x			x					x	x
3.50	55.00		x					x				x	x
3.60	7.10		x				x					x	
3.70	8.20		x			x						x	
3.70	14.80			0.40		x						x	x
4.00	7.00		x	x			x					x	
4.00	8.00		x	0.40			x					x	
4.00	10.00		x				x					x	
4.00	12.00		x				x					x	x
4.00	20.00		x	x/0.4			x				x		x
4.00	23.00			x			x					x	
4.10	10.00		x				x					x	
4.20	7.00		x				x					x	
4.30	5.00		x						x			x	
4.34	6.35		x			x						x	
4.40	9.60		x			x						x	
4.50	7.30		x				x					x	
4.50	8.00		x				x				x		
4.50	8.50		x	0.40		x						x	
4.50	35.00		x					x				x	x

OBROUND

Width [mm]	Length [mm]	Die Clearance			Tool size						Type		
		0.10	0.20	0.30	01	02	1	2	MT6	MT4	S	H	W
4.70	5.50		x			x						x	
4.80	6.00		x				x					x	
4.83	25.40		x				x					x	
4.90	21.40	x	x				x					x	
5.00	8.00	0.10	x0.15	x0.4			x					x	
5.00	30.00	x	x	x			x					x	x
5.00	50.00		x					x				x	x
5.00	56.00	x	0.15	x				x				x	x
5.30	6.30		x				x					x	x
5.50	8.00			x			x					x	
5.50	10.00		x	x			x					x	
5.50	11.00		x				x					x	
5.50	17.00			x			x					x	
5.50	55.50		x				x						x
5.60	7.10		x				x					x	
6.00	7.00		x				x					x	x
6.35	12.70		x	x			x					x	
6.40	8.00		x			x						x	
6.40	11.00		0.15	x			x					x	x
6.50	9.00		0.15	x			x					x	
6.50	9.50		x				x					x	
6.50	16.75		0.15				x					x	
7.00	10.00		x	x/0.5			x					x	
7.00	11.00		x	x/0.5			x					x	
7.10	19.60		x	x/0.4			x				x		
7.10	28.60			x			x					x	x
7.20	23.20		0.15	x			x					x	x
7.20	39.20		0.15	x			x					x	x
7.50	16.75		0.15	x			x					x	x
8.00	9.50		0.15	x			x					x	
8.00	10.50		x	x			x					x	
8.00	12.00		x	x			x					x	x
8.00	16.00		x	x/0.4			x					x	x
8.00	23.00			x			x					x	x
8.40	22.40		x				x					x	
10.00	12.00		0.15	x			x					x	x
10.00	15.00		x	x/0.5			x					x	x
10.00	38.30		x					x				x	
10.40	36.00		0.15	x			x					x	x
11.00	13.00		x				x					x	x
12.00	17.00		x	x/0.4				x				x	
13.50	22.00		0.15	x				x				x	x
16.20	19.50			x/0.4				x				x	
17.00	20.00			0.40			x					x	
25.00	60.00		x	0.40				x				x	x
25.40	31.90			x				x				x	

SQUARE

Size [mm]	Die clearance					Tool size						Type		
	0.10	0.15	0.20	0.25	0.30	01	02	1	2	MT6	MT4	S	H	W
2.50			x		x			x				x		
3.00			x					x				x		
4.00			x		x								x	
5.00	x		x		0.40		x						x	
6.00			x		x		x						x	
6.40			x					x					x	
6.50			x					x					x	
7.00			x					x					x	
7.10	x				0.40			x					x	
7.20					0.40			x					x	
7.50			x					x					x	
8.00	x		x		x/0.6			x					x	
9.00	x		x		x			x					x	
9.50			x		x/0.4			x					x	
10.00	x		x		x			x					x	
11.00			x		0.40			x					x	
12.70	x		x		x			x					x	x
13.00			x					x					x	
13.50			0.20		x									
15.00			x		.3/4			x					x	x
15.20			x		0.40			x					x	x
16.00			x					x					x	x
16.40			x					x					x	x
17.10					x				x				x	x
18.00	x		x					x					x	x
20.00	x		x		x			x					x	x
27.00	x								x				x	x
35.00	x		x		0.40				x				x	x
37.50	x								x				x	x
50.00	x		x						x				x	x

**SPECIAL
TOOLS**

Tool type	Fig.	Tool No.	Dimensions [mm]				Form	Mat.	T/S	Type		
			A	B	C	D				S	H	W
D 3.60/3.20	1	51036032	3.60	3.20			n/a	0.75 2.00	1		x	
D 6.30/5.90	1	51063059	6.30	5.90			n/a	0.75 2.00	1		x	
D 6.50/6.10	1	51065061	6.50	6.10			n/a	0.75 2.00	1		x	
D 6.70/6.10	1	51067061	6.70	6.10			n/a	0.75 2.00	1		x	
D 7.50/6.80	1	51075068	7.50	6.80			n/a	0.75 2.00	1		x	
D 9.50/8.89	1	51095089	9.50	8.90			n/a	0.75 2.00	MT 6		x	
D 9.76/8.92	1	51098089	9.76	8.92			n/a	0.75 2.00	1	x		
D (Punch only) 10.00/8.75	1	91100088	10.00	8.75			n/a	0.75 2.00	1		x	
D 11.11/10.28	1	51103111	11.11	10.28			n/a	0.75 2.00	1		x	
D 12.90/12.00	1	51129120	12.90	12.00			n/a	0.75 2.00	1		x	
D 14.00/13.00	1	51140130	14.00	13.00			n/a	0.75 2.00	1		x	
D 15.10/14.20	1	51151142	15.10	14.20			n/a	0.75 2.00	1		x	
D (Punch only) 16.00/15.00	1	91160150	16.00	15.00			n/a	0.75 2.00	1		x	
D 16.00/15.20	1	51160152	16.00	15.20			n/a	0.75 2.00	1		x	
D (Punch only) 17.00/16.00	1	91170160	17.00	16.00			n/a	0.75 2.00	1		x	
D 19.10/18.40	1	51191184	19.10	18.40			n/a	0.75 2.00	1		x	x
D (HPM38) 34.00/28.00	1	51340280	34.00	28.00			n/a	0.75 2.00	2		x	
DD 3.85/2.75	2	52039028	3.85	2.75			n/a	0.75 2.00	1	x		
DD 4.60/3.10	2	52046031	4.60	3.10			n/a	0.75 2.00	1		x	
DD 5.90/3.30	2	52059033	5.90	3.30			n/a	0.75 2.00	1	x		
DD 7.00/5.00	2	52070050	7.00	5.00			n/a	1.50 4.00	1		x	
DD 7.20/5.60	2	52072056	7.20	5.60			n/a	0.75 2.00	1	x		
DD 9.00/8.00	2	52090080	9.00	8.00			n/a	0.75 2.00	1	x		

**SPECIAL
TOOLS**

Tool type	Fig.	Tool No.	Dimensions [mm]				Form	Mat.	T/S	Type		
			A	B	C	D				S	H	W
DD 10.00/8.00	2	52100080	10.00	8.00			n/a	1.00 2.50	1	x		
DD 10.20/8.20	2	52102082	10.20	8.20			n/a	0.75 2.00	1		x	
DD 11.70/10.70	2	52117107	11.70	10.70			n/a	0.75 2.00	1		x	
DD 12.70/10.60	2	52127106	12.70	10.60			n/a	2.00 3.00	1		x	
DD 12.70/11.18	2	52127112	12.70	11.18			n/a	0.75 2.00	1		x	
DD 12.70/11.68	2	52127117	12.70	11.68			n/a	0.75 2.00	MT 4		x	
DD 14.00/12.20	2	52140120	14.00	12.20			n/a	2.00 3.00	1		x	
DD 14.30/12.70	2	52143127	14.30	12.70			n/a	0.75 2.00	1		x	
DD 15.50/13.50	2	52155135	15.50	13.50			n/a	0.75 2.00	1		x	
DD 15.60/14.80	2	52156148	15.60	14.80			n/a	2.00 3.00	1		x	x
DD 15.85/14.25	2	52159143	15.85	14.25			n/a	0.75 2.00	1	x		
DD 15.90/14.30	2	52159143	15.90	14.30			n/a	0.75 2.00	1	x		
DD 16.00/14.30	2	52160143	16.00	14.30			n/a	0.75 2.00	1	x		x
DD 16.00/15.00	2	52160150	16.00	15.00			n/a	2.00 3.00	1		x	x
DD 16.10/13.70	2	52161137	16.10	13.70			n/a	0.75 2.00	1	x		x
DD 19.00/15.80	2	52190158	19.00	15.80			n/a	0.75 2.00	1	x	x	
DD 19.06/17.66	2	52196176	19.06	17.66			n/a	0.75 2.00	1	x	x	
DD 19.10/16.00	2	52191160	19.10	16.00			n/a	0.75 2.00	1	x		x
DD 19.10/16.50	2	52191165	19.10	16.50			n/a	0.75 2.00	1		x	x
DD 19.10/17.0	2	52191170	19.10	17.00			n/a	0.75 2.00	1	x		x
DD 19.25/17.40	2	52192174	19.25	17.40			n/a	0.75 2.00	1	x	x	
DD 19.50/16.20	2	52195162	19.50	16.20			n/a	0.75 2.00	1		x	
DD 19.60/16.50	2	52196165	19.60	16.50			n/a	0.75 2.00	1		x	
DD 19.60/17.50	2	52196175	19.60	17.50			n/a	0.75 2.00	1		x	

**SPECIAL
TOOLS**

Tool type	Fig.	Tool No.	Dimensions [mm]				Form	Mat.	T/S	Type		
			A	B	C	D				S	H	W
DD 20.00/17.00	2	52200170	20.00	17.00			n/a	0.75 2.00	1		x	x
DD 22.00/19.05	2	52220191	22.00	19.00			n/a	0.75 2.00	1		x	
DD 22.50/19.30	2	52225193	22.50	19.30			n/a	0.75 2.00	1		x	x
DD 22.50/20.10	2	52225201	22.50	20.10			n/a	3.00 4.00	1		x	
DD 20.60/17.50	2	52206175	20.60	17.50			n/a	0.75 2.00	1			x
DD (Punch only) 22.60/21.00	2	92226210	22.60	21.00			n/a	0.75 2.00	1	x		x
DD (Utilux cord grip) 15.20/14.30	10	52152143	15.20	14.30	9.50		n/a	0.75 2.00	1		x	
DD (Utilux cord grip) 17.30/14.70	10	52173147	17.30	14.70	9.50		n/a	0.75 2.00	1		x	
Corner radius radius R2	3	16020050	2.00	5.00	9.00		n/a	0.75 2.00	1		x	
Corner radius radius R3	3	16030050	3.00	5.00	11.00		n/a	0.75 2.00	1		x	
Corner radius radius R4	3	16040050	4.00	5.00	13.00		n/a	0.75 2.00	1		x	
Corner radius radius R5	3	16050050	5.00	5.00	15.00		n/a	0.75 2.00	1		x	
Corner radius radius R10	3	16100050	10.00	5.00	25.00		n/a	0.75 2.00	1		x	x
DB9	4	53000009	11.40	20.50	3.40	10.00 deg	n/a	0.75 2.00	1		x	
DB25	4	53000025	11.40	42.50	3.40	10 deg	n/a	0.75 2.00	2		x	x
DB50	4	53000050	14.10	56.20	3.50	10 deg	n/a	0.75 2.00	2		x	
Rectangle special 7.70x15.00/R0.50	5	2150077	7.70	15.00	0.50		n/a	0.75 2.00	1		x	
Rectangle special 8.00x20.00/R2.00	5	2200080	8.00	20.00	2.00		n/a	0.75 2.00	1		x	x
Rectangle special 8.73x9.52/R0.50	5	2095087	8.73	9.52	0.50		n/a	0.75 2.00	1	x		
Rectangle special 10.00x42.00/R4.0	5	2420100	10.00	42.00	4.00		n/a	0.75 2.00	2		x	x
Rectangle special 11.40x28.20/R3.4	5	2282114	11.40	28.20	3.40		n/a	0.75 2.00	2		x	x
Rectangle special 11.70x32.70/R1.85	5	2327117	11.70	32.70	1.85		n/a	0.75 2.00	2		x	
Rectangle special 12.00x7.00/R1.00	5	2120070	12.00	7.00	1.00		n/a	1.50 2.00	2		x	

**SPECIAL
TOOLS**

Tool type	Fig.	Tool No.	Dimensions [mm]				Form	Mat.	T/S	Type		
			A	B	C	D				S	H	W
Rectangle special 15.00x38.00/R1.00	5	2380150	15.00	38.00	1.00		n/a	0.75 2.00	2		x	
Rectangle special 20.82x30.48/R1.60	5	2305208	20.82	30.48	1.60		n/a	0.75 2.00	2		x	
Rectangle special 55.00x18.00xR2.0	5	2550180	55.00	18.00	2.00		n/a	1.20 1.60	2			X
Rectangle special 65.00x20.00xR1.0	5	2650200	65.00	20.00	1.00		n/a	0.70 0.90	2			X
Square special 6.00x6.00/R0.70	6	2060607	6.00		0.70		n/a	0.40	1		x	
Square special 8.30x8.30/R0.50	6	2083083	8.30		0.50		n/a	0.40	1		x	
Square special 12.40x12.40/R2.30	6	2124124	12.40		2.30		n/a	1.20 2.00	1		x	x
Square special 15.70x15.70/R1.85	6	2157157	15.70		1.85		n/a	0.75 2.00	1		x	
Square special 17.10x17.10/R2.20	6	2171171	17.10		2.20		n/a	0.75 2.00	1		x	
Hexagon 5.10 A/F	8	99900510	5.10				n/a	1.50 2.00	1		x	
Hexagon 6.00 A/F	8	99900600	6.00				n/a	1.50 2.00	1		x	
Hexagon 6.35 A/F	8	99900635	6.35				n/a	0.75 2.00	1		x	
Hexagon 9.65 A/F	8	99900965	9.65				n/a	0.75 2.00	1		x	
Hexagon 12.70 A/F	8	99901270	12.70				n/a	0.75 2.00	1		x	
Banana tool 78-88 dia	9	98440390	78.00	88.00	100 deg		n/a	0.75 2.00	2	x		x
Banana tool 29-34.5 dia	9	99020301	29.00	34.50	76 deg		n/a	1.50 2.00	2	x		x
Banana tool 36.5-42.0 dia	9	99020302	36.50	42.00	79 deg		n/a	1.50 2.00	2	x		x
Banana tool 44-49.50 dia	9	99020303	44.00	49.50	80 deg		n/a	1.50 2.00	2	x		x
Banana tool 51-57.0 dia	9	99020304	51.50	57.00	44 deg		n/a	1.50 2.00	2	x		x
Banana tool 205-218.0 dia	9	99020306	205.0	218.0	25mm		n/a	1.50 2.00	2	x		x
Inside corner radius universal R2, 3, 4, 5	11	16002345	11.00	11.00	R2,R3 R4,R5		n/a	0.75 1.60	1		x	
V notch universal 15 degrees	12	17150000	0.50	15 deg	16.15	5.15	n/a	0.75 2.00	1		x	
Horse shoe 18.35/16.85/4.0	14	99184169	18.35	16.85	4.00		n/a	0.75 1.20	1	x		

**SPECIAL
TOOLS**

Tool type	Fig.	Tool No.	Dimensions [mm]				Form	Mat.	T/S	Type		
			A	B	C	D				S	H	W
Special cutout for connector (Krone)	15	99225210	22.50	21.00	21.00	10.00	n/a	0.75 2.00	1		x	
Boomerang tool 5.8mm wide	16	99000058	13.50	5.80	10.00	45.00	n/a	1.00 3.00	1		x	x
DEC Special connector cutout	18	99279112	34.48	27.95	15.85	11.16	n/a	0.75 2.00	2		x	
Square complete with R11.25 corners	19	99225201	22.50	20.10			n/a	0.90 2.00	2		x	
Special Shape Rect. for Amtote# 607-175	20	99607175	36.20	11.00	25.80	5.00	n/a	0.60	2		x	
H' Shape for Amtote # 607-131	21	99607131	20.00	13.00			n/a	1.20	1		x	
Special Shape for Amtote# 607-111	22	99607111	49.14	24.00			n/a	0.55	2		x	
Special Shape for Amtote# 607-112	23	99607112	39.71	17.46			n/a	0.40	2		x	
Special Shape for Light Culture	24	99000050	12.00	10.27			n/a	0.10	1		x	
Countersink 10.5mm	A1	25101201	<10.50	>4.80	120 deg		down	1.20 2.00	1		x	
Countersink CSK Pop rivet	A1	25641201	<6.40	>3.50	120 deg		down	1.20 2.00	1		x	
Countersink M3	A1	25650901	<6.50	>3.50	90 deg		down	1.20 2.00	1		x	
Countersink 7.4mm	A1	25740901	<7.40	>4.20	90 deg		down	1.20 2.00	1		x	
Countersink M4	A1	25840901	<8.40	>4.80	90 deg		down	1.60 2.00	1		x	
Countersink M5	A1	25900901	<12.00	>5.10	90 deg		down	1.60 2.00	1		x	
Countersink 3.18 dia Pop-Rivet	A1	25651201	<6.50	>3.40	120 deg		down	1.20 2.50	1		x	
Centre punch	A2	10000000	0.50	45.00 deg			down	0.75 3.00	1		x	
Cluster 2.00 dia 80 pin	A3	54801200	6.00	5.20	54.00	36.40	n/a	0.90 1.60	2		x	x
Cluster 2.00 dia 15 pin	A3	54151200	6.00	5.20	12.00	20.80	n/a	0.90 1.60	2		x	
Cluster 3.20 dia 6 pin	A3	54061320	10.00	10.00	30.00	20.00	n/a	0.90 1.60	2		x	
Cluster 4.60 dia 16 pin	A3	54161460	12.00	12.00	36.00	36.00	n/a	1.20 max	2		x	
Cluster 5.00 sq square 9 pin	A3	54093500	15.00	15.00	30.00	30.00	n/a	1.20 max	2		x	
Cluster 5.00 dia 12 pin	A3	54121500	10.40	12.00	52.00	12.00	n/a	1.20 max	2		x	

**SPECIAL
TOOLS**

Tool type	Fig.	Tool No.	Dimensions [mm]				Form	Mat.	T/S	Type		
			A	B	C	D				S	H	W
Cluster 6.00 dia 10 pin	A3	54101060	12.00	12.00	48.00	12.00	n/a	1.20 max	2		x	
Cluster 8.00 dia 10 pin	A3	54101080	12.00	12.00	48.00	12.00	n/a	1.20 max	2		x	
Cluster 7x4 obround @ 45deg 8pin	A3	54088070	16.00	16.00	48.00	16.00	n/a	1.20 max	2		x	
Half shear 3.00 dia	A5	61030101	3.00	<t/2			down	0.90 1.60	1		x	
Half shear 4.20 dia	A5	61042001	4.20	<t/2			up	1.50 2.50	1		x	
Half shear 5.00 dia	A5	61050001	5.00	<t/2			up	2.50 3.00	1		x	
Half shear 1x rect. 1x 5.70x4.00	A6	61057004	5.70	4.00		<t/2	up	1.20 2.50	2		x	
Half shear special rect 2x 5.00/4.30, 12.6 crs	A6	61050024	5.00	4.30	12.60	<t/2	up	1.50 3.00	1		x	
Half shear rect. 11.00x3.00	A6	61110004	11.00	3.00		<t/2	up	0.90 1.60	1		x	
Dimple 3.0 dia	A7	62030011	3.00	<t/2			up	0.75 1.60	1		x	
Dimple 3.0 dia	A7	62030001	3.00	0.80			up	1.00	2		x	
Dimple 3.0 dia	A7	62030020	3.00	1.80			up	3.00 AL	2		x	
Dimple 2.3 dia	A7	62019001	2.30	<t/2			up	0.75 1.60	1		x	
Emboss 6.00 dia	B1	71060110	6.00	1.10	45 deg		up	0.90 1.60	1		x	
Emboss 6.40 dia	B1	71064400	6.40	4.00	45 deg		up	0.90 1.60	2		x	
Emboss 6.40 dia	B1	71064191	6.40	2.00	45 deg		down	0.90 1.60	1		x	
Emboss 8.00 dia	B1	71080190	8.00	1.90	45 deg		up	0.90 1.60	2		x	
Emboss 12.00 dia	B1	71120191	12.00	2.00	45 deg		down	0.90	1		x	
Emboss 12.00 dia	B1	71120880	12.00	8.80	45 deg		UP	1.60	2		x	
Emboss 12.70 dia	B1	71127161	12.70	1.60	45 deg		down	0.90 1.60	1 2		x	
Emboss 16.00 dia	B1	71160300	16.00	3.00 5.00	45 deg		up	0.90 1.60	2		x	
Emboss 16.00 dia	B1	71160610	16.00	6.10	55 deg		up	1.60	2		x	
Emboss 19.30 dia	B1	71193635	19.30	6.00 6.35	45 deg		up	1.60	2		x	

**SPECIAL
TOOLS**

Tool type	Fig.	Tool No.	Dimensions [mm]				Form	Mat.	T/S	Type		
			A	B	C	D				S	H	W
Emboss 19.40 dia	B1	71194350	19.40	3.50	45 deg		down	1.60	2		x	
Emboss 20.00 dia.	B1	71200500	20.00	5.00	45 deg		up	0.90 1.60	2		x	
Emboss 30.00 dia.	B1	71300300	30.00	3.00	45 deg		up	0.70 0.90	2		x	
Emboss (Alum only) 34.00 dia.	B1	71340800	34.00	8.00	25 deg		up	0.90 1.20	2		x	
Emboss (Alum only) 37.00 dia.	B1	71400600	37.00	6.00	45 deg		up	1.50 2.50	2		x	
Emboss 42.00 dia.	B1	71420300	42.00	3.00	45 deg		up	0.90	2		x	
Emboss Square 22.00 sq.	B1	71220220	22.00	2.00	45 deg		up	0.90	2		x	
Obround Emboss 52x16	B2	71520160	52.00	16.00	0.700		down	0.70 STST	1		x	
Obround Emboss 8x2	B2	99080020	8.00	2.00	0.125		up	0.40	1		x	
Obround Emboss 7.00x15.00/2.00 deep	B2	99640229	15.00	7.00	2.00	30 deg.	up	1.00	2		x	
Rectangle Emboss 35x15	B2	99351609	35.00	15.00	0.80		up	1.00	2		x	
Rectangle Emboss 50x25	B2	71502506	50.00	25.00	0.60		up	1.00	2		x	
1/2 Emboss (Half obround)	B3	99640230	15.00	16.00	1.50	45.00 deg	up	0.75 2.00	1		x	
1/2 Emboss (Half obround)	B3	99640231	22.00	19.00	3.00	45.00 deg	up	1.20 2.00	1		x	
Siffening progressive rib 12mm wide	B4	23000120	10.00	12.00	2.00		up	0.75 1.60	2		x	
Siffening progressive rib 6mm wide	B4	23000060	3.30	3.00	<9.80		up	0.75 1.60	2		x	
Wilson wheel rib 6.3mm wide	B4	99000063	5.00	2.00	6.30		up	0.75 1.60	2		x	
Extrusion for M2.5	B5	24000000	2.00				up	0.90 0.95	1		x	
Extrusion for M3	B5	24300000	2.50				up	1.50 1.60	1		x	
Extrusion for M4	B5	24400000	3.40				up	1.50 1.60	1		x	
Extrusion for M5	B5	24500000	4.40				up	0.90 0.95	1		x	
Lance & Form 9.0x3.0x2.0	B6	73090320	3.00	9.00	2.00	5.00	up	0.75 0.90	1		x	
Lance & Form 15.0x3.0x3.5	B6	73080335	3.00	15.00	3.50	8.00	up	0.75 2.00	2		x	

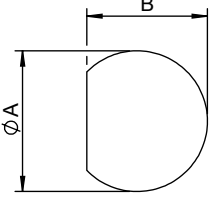
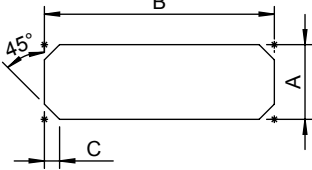
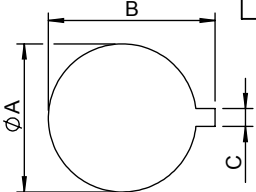
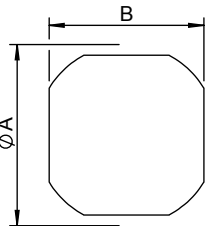
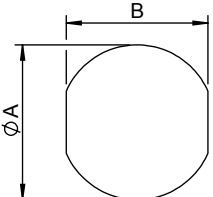
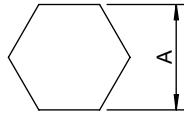
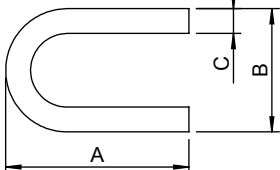
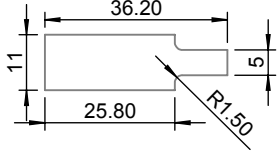
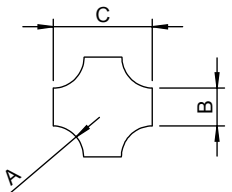
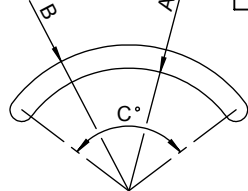
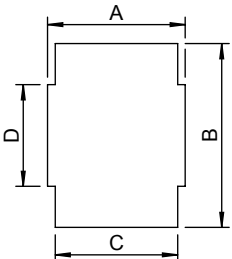
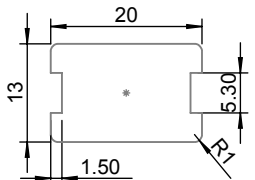
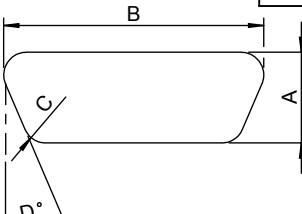
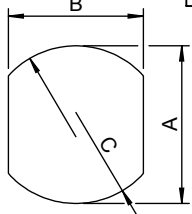
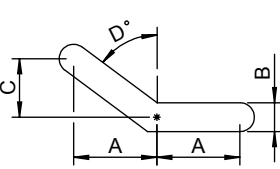
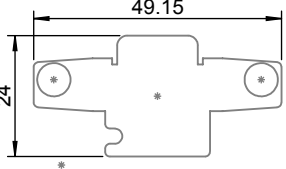
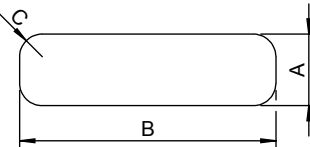
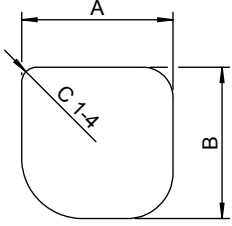
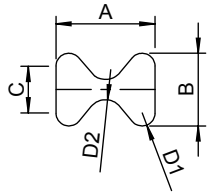
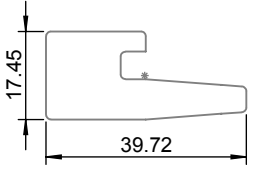
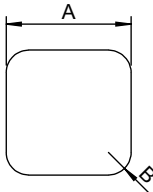
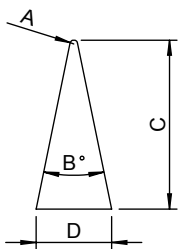
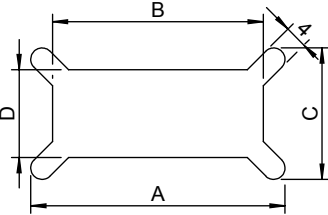
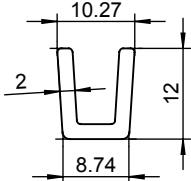
**SPECIAL
TOOLS**

Tool type	Fig.	Tool No.	Dimensions [mm]				Form	Mat.	T/S	Type		
			A	B	C	D				S	H	W
Lance & Form 25.4x3.0x3.2	B6	73253030	3.00	25.40	3.20	14.00	up	0.90 1.60	2		x	
Lance & Form 10.0x5.0x1.8	B6	73105018	5.00	10.00	1.80	9.00	up	0.40 1.20	2		x	
Lance & Form 23.0x10.0x4.5	B6	73231045	9.80	23.00	4.50	12.00	up	0.40 1.20	2		x	
1/2R Lance & Form 12.0x5.0x3.0	B6	73125030	5.00	12.00	3.00	4.00	up	0.40 1.20	2		x	
Gutter Lance & Form 10.00x40.00/3.60	C8	73401036	10.00	40.00	3.60	35.00	up	1.50 2.00	2		x	
"V" Lance & Form 5.00wide/2.00 height	B6	74242050	5.00		2.00		up	0.90 1.60	1		x	
Card guide Half shear type	B7	74212523	14.00	21.60	2.50	2.30	up	1.60	2		x	
Card guide Half shear type	B7	74182017	11.00	18.40	2.00	1.70	up	1.60	2		x	
Card guide Form-up	B8	74620021	50.00 60.00	2.00	3.00	68.00	up	1.20 1.50	2		x	
Guide Form-up	C1	74101220	1.20	10.00	2.10		up	1.00	1		x	
Knock-out tool 20mm dia	C2	76200010	20.00	t			up	0.75 2.00	2		x	
Knock-out tool 25mm dia	C2	76250010	25.00	t			up	0.75 2.00	2		x	
Louvre (up to 1.6 St/St) 50.00/6.00/6.00	C3	72500060	50.00	6.00	4.00	11.00	up	0.90 2.00	2		x	
Louvre (up to 1.6 St/St) 60.00/11.20/6.30	C3	72600063	60.00	11.20	6.30	18.00	up	0.90 2.00	2		x	
Louvre 60.00/6.00/3.00	C3	72600030	60.00	6.00	3.00	6.50	up	0.90 1.60	2	x		
Offset tool 26mm wide	C4	99640228	26.00 max	10.00 max	3.00		up	1.60	2	x		
Sphere 5mm dia	C5	6205001	5.00	1.50			up	0.90	1		x	
Sphere 6mm dia	C5	62060001	6.00	1.50			up	0.90	1		x	
Marking tool 3mm characters	C6	14030100	3.00	8.00	3.00	39 21	up	0.90 3.00	2		x	
Pre-pierce tool for card guide	C7	74710050	5.00	70.00			n/a	0.90 1.60	2		x	
Card guide with 5mm joggle tool	C7	74690022	2.20	70.00			up	0.90 1.60	2		x	
Card guide with 5mm joggle tool	C7	74690106	10.60	70.00			up	0.90 1.60	2		x	
Obround Extrude 21x3.5	D7	99210040	21.00	3.50			up	0.80 1.20	2		x	

**SPECIAL
TOOLS**

Tool type	Fig.	Tool No.	Dimensions [mm]				Form	Mat.	T/S	Type		
			A	B	C	D				S	H	W
Dovetail Rect. 56x5xR1.0	D2	99560050	56.00	5.00			1.00 1.60	2		x		
Earth Tab (St.G) (rect hole with spl shp)	D3	99052053	64.00	8.00			1.00	2		x		
Cable Tie (AGT)	D4	99160160					1.20	2		x		
Hand Bend Tool (no stst - max 200mm)	D5	98560012					0.70 1.20	2		x		
Earth Symbol Stamp Form Up	D6	99000001					0.55 2.00	2		x		
Earth Symbol Stamp Form Down	D6	99000002					0.55 2.00	2		x		
Special Lourve 40x14.75x5.8	D7	72400058	40.00	14.75	5.80		1.20	2		x		
HDMI Connector cutout 8.50x4.80 (B/Magic)	D8	53000001	8.50	4.80			1.20 1.60	1		x		
SDI connector cutout 15.90x6.40 (B/Magic)	E1	53000002	15.90	6.40			1.20 1.60	1		x		
Special cutout	E2	53000003	43.00	19.00			1.60 brass	2		x	x	
Special Coupling	E3	99090686	6.35	7.00			1.20 copp	1		x	x	

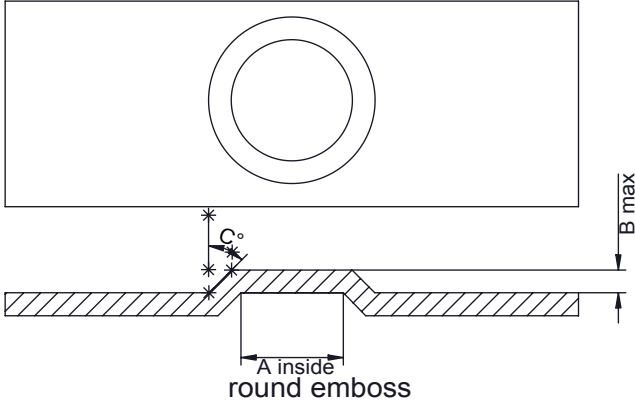
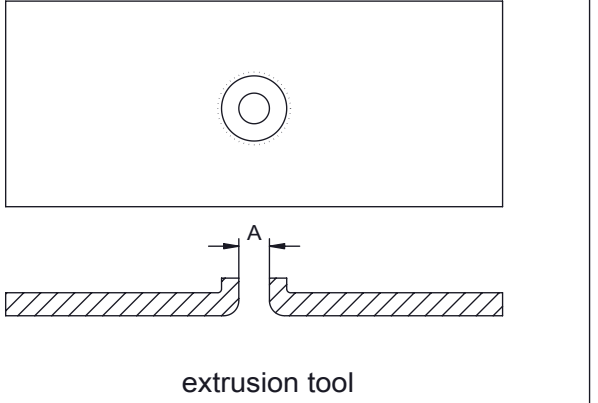
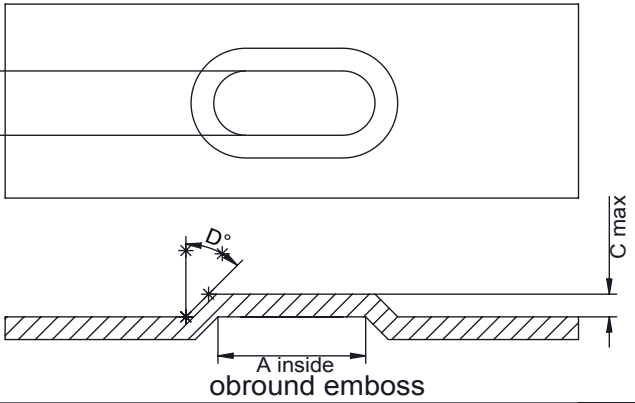
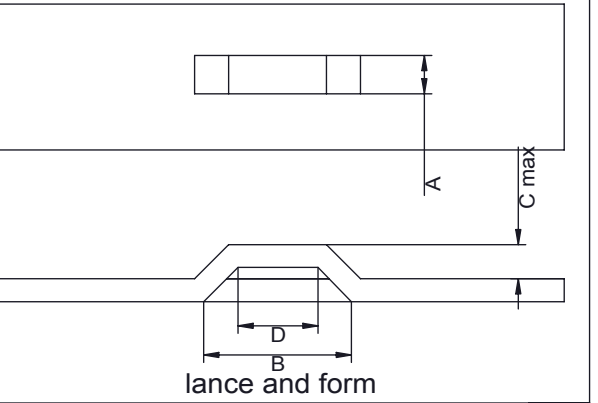
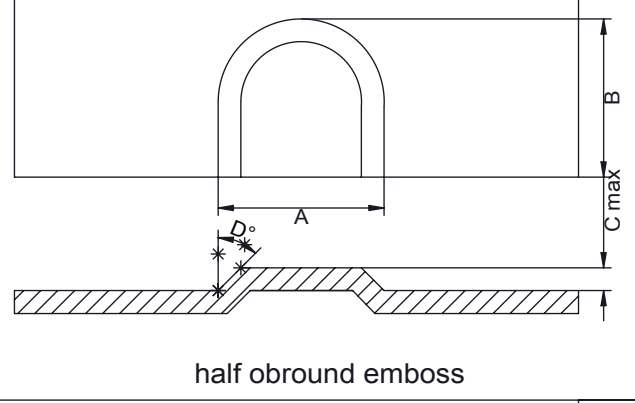
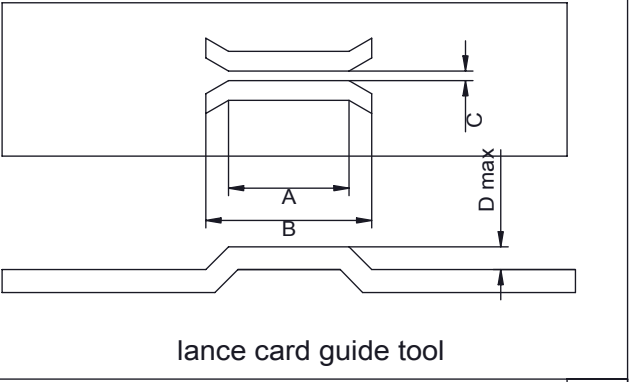
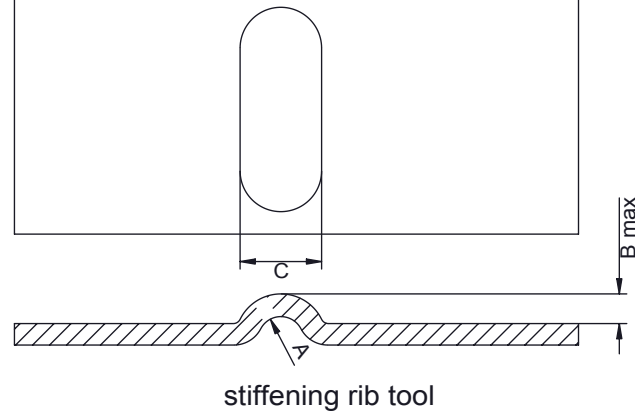
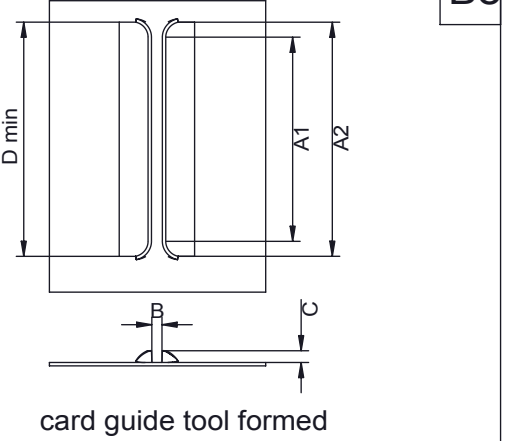
SPECIAL TOOLS

 <p>1</p> <p>single 'D'</p>	 <p>7</p> <p>rectangle chamfer corner</p>	 <p>13</p> <p>key hole</p>	 <p>19</p> <p>4 sided round</p>
 <p>2</p> <p>double 'D'</p>	 <p>8</p> <p>hexagon</p>	 <p>14</p> <p>horse shoe</p>	 <p>20</p> <p>special cutout</p>
 <p>3</p> <p>corner radius</p>	 <p>9</p> <p>banana tool</p>	 <p>15</p> <p>special cutout</p>	 <p>21</p> <p>special cutout</p>
 <p>4</p> <p>DB cutout</p>	 <p>10</p> <p>utilux cord grip</p>	 <p>16</p> <p>boomerang tool</p>	 <p>22</p> <p>special cutout</p>
 <p>5</p> <p>rectangle radius corner</p>	 <p>11</p> <p>4 different corners</p>	 <p>17</p> <p>butterfly cutout</p>	 <p>23</p> <p>special cutout</p>
 <p>6</p> <p>square radius corner</p>	 <p>12</p> <p>v notch</p>	 <p>18</p> <p>connector cutout</p>	 <p>24</p> <p>special cutout</p>

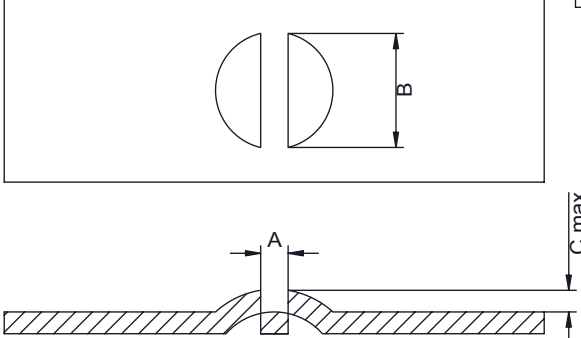
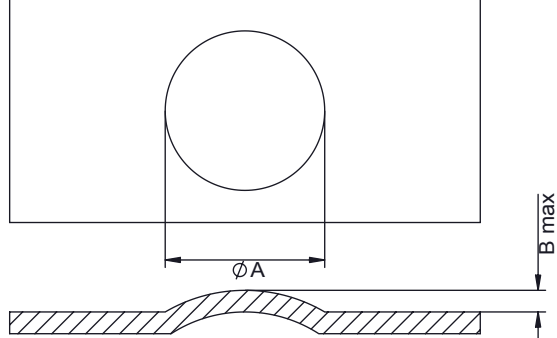
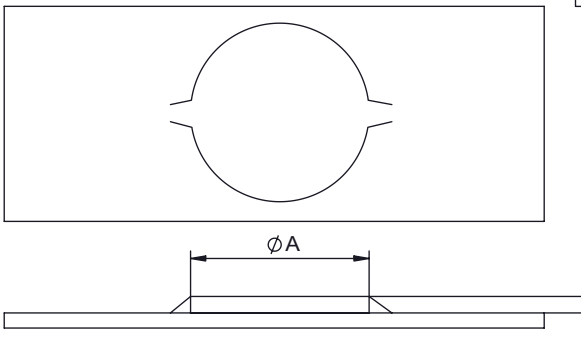
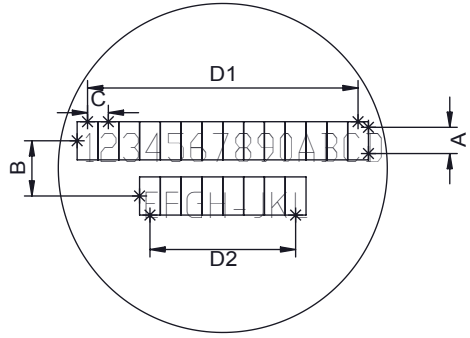
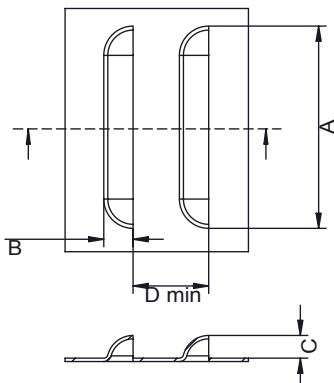
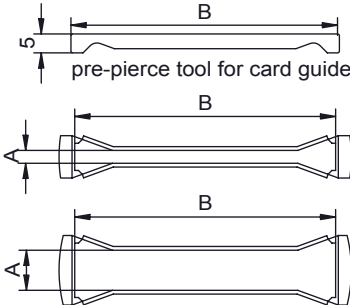
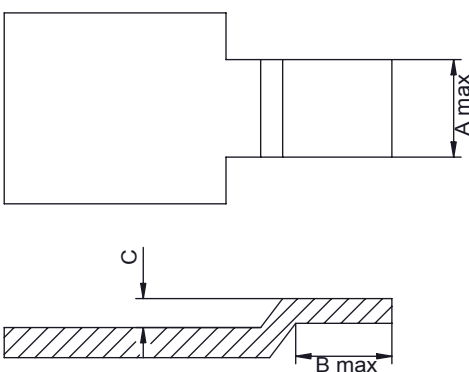
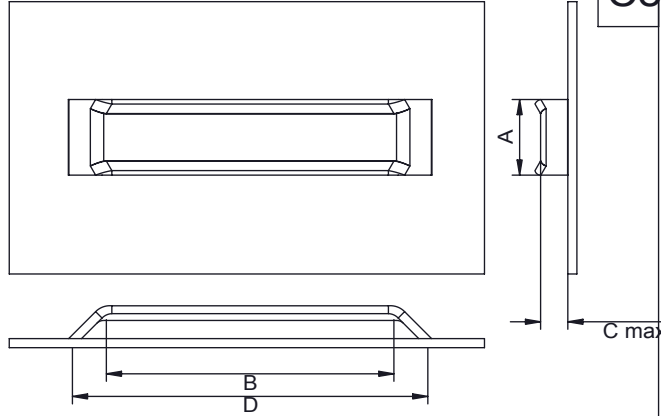
SPECIAL TOOLS

<p style="text-align: right;">A1</p> <p style="text-align: center;">countersink tool</p>	<p style="text-align: right;">A5</p> <p style="text-align: center;">half shear tool</p>
<p style="text-align: right;">A2</p> <p style="text-align: center;">centre punch tool</p>	<p style="text-align: right;">A6</p> <p style="text-align: center;">double half shear</p>
<p style="text-align: right;">A3</p> <p style="text-align: center;">cluster tool square pitch</p>	<p style="text-align: right;">A7</p> <p style="text-align: center;">dimple tool</p>
<p style="text-align: right;">A4</p> <p style="text-align: center;">cluster tool staggered pitch</p>	<p style="text-align: right;">A8</p> <p style="text-align: center;">counter bore tool</p>

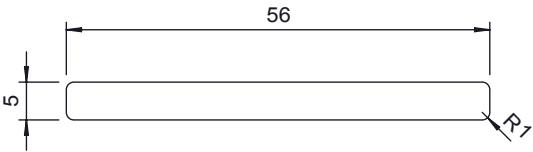
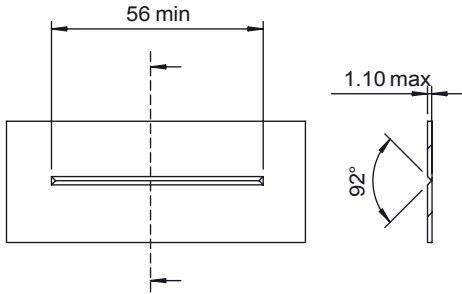
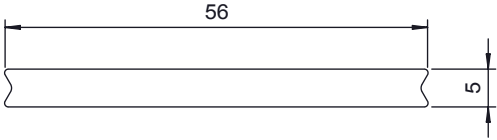
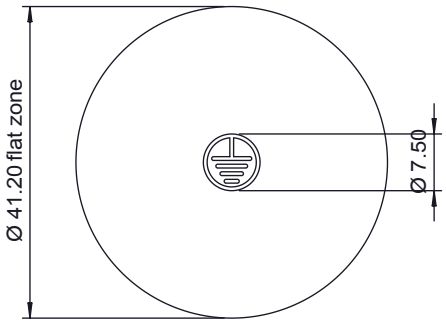
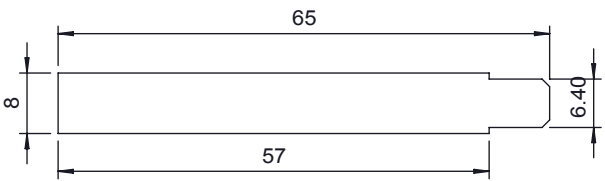
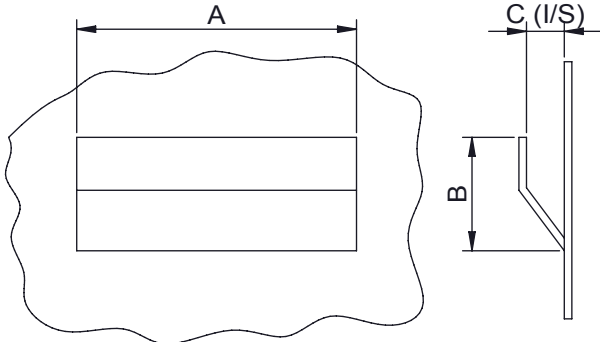
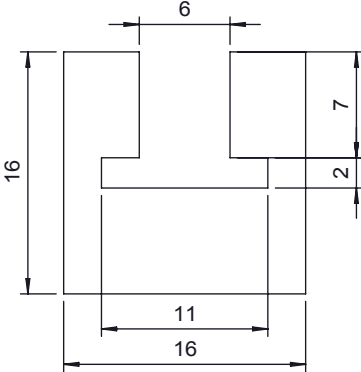
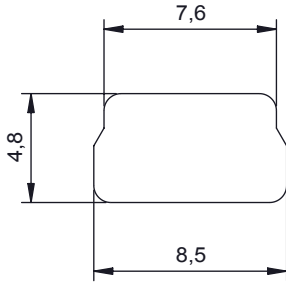
SPECIAL TOOLS

<p>B1</p>  <p>round emboss</p>	<p>B5</p>  <p>extrusion tool</p>
<p>B2</p>  <p>obround emboss</p>	<p>B6</p>  <p>lance and form</p>
<p>B3</p>  <p>half obround emboss</p>	<p>B7</p>  <p>lance card guide tool</p>
<p>B4</p>  <p>stiffening rib tool</p>	<p>B8</p>  <p>card guide tool formed</p>

SPECIAL TOOLS

 <p>C1</p> <p>guide extrude up</p>	 <p>C5</p> <p>sphere up</p>
 <p>C2</p> <p>knock-out tool</p>	 <p>C6</p> <p>marking tool</p>
 <p>C3</p> <p>louvre tool</p>	 <p>C7</p> <p>card guide with 0.5mm joggle</p>
 <p>C4</p> <p>joggle tool</p>	 <p>C8</p> <p>gutter lance and form</p>

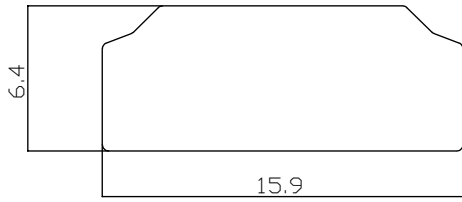
SPECIAL TOOLS

<p style="text-align: right;">D1</p>  <p style="text-align: center;">obround special</p>	<p style="text-align: right;">D5</p>  <p style="text-align: center;">hand bend tool</p>
<p style="text-align: right;">D2</p>  <p style="text-align: center;">dovetail rectangle</p>	<p style="text-align: right;">D6</p>  <p style="text-align: center;">earth stamp</p>
<p style="text-align: right;">D3</p>  <p style="text-align: center;">special earth tab</p>	<p style="text-align: right;">D7</p>  <p style="text-align: center;">plastic bin louvre</p>
<p style="text-align: right;">D4</p>  <p style="text-align: center;">cable tie</p>	<p style="text-align: right;">D8</p>  <p style="text-align: center;">SDI connector cutout</p>

SPECIAL TOOLS

E1

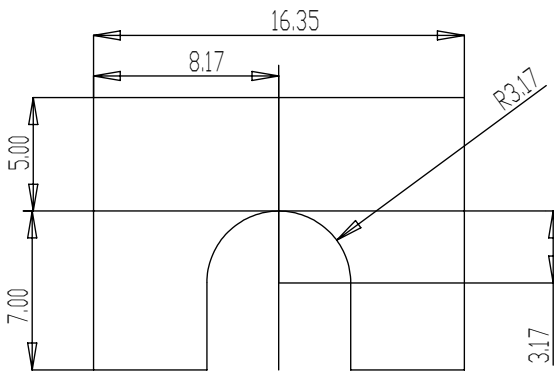
E5



HDMI connector cutout

E2

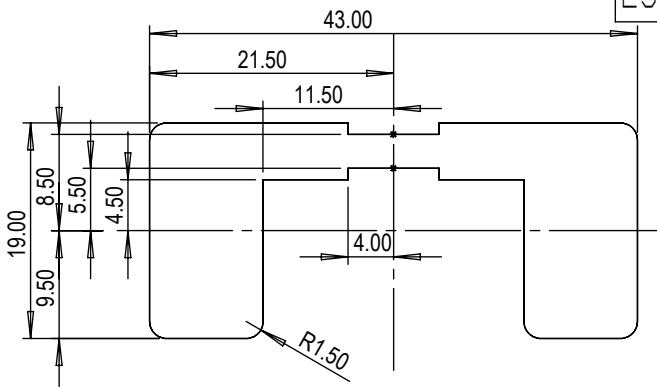
E6



special cutout

E3

E7



special coupling

E4

E8